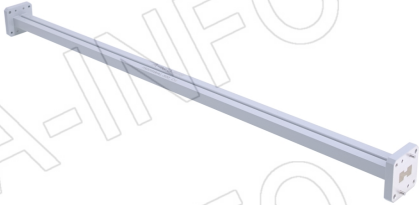


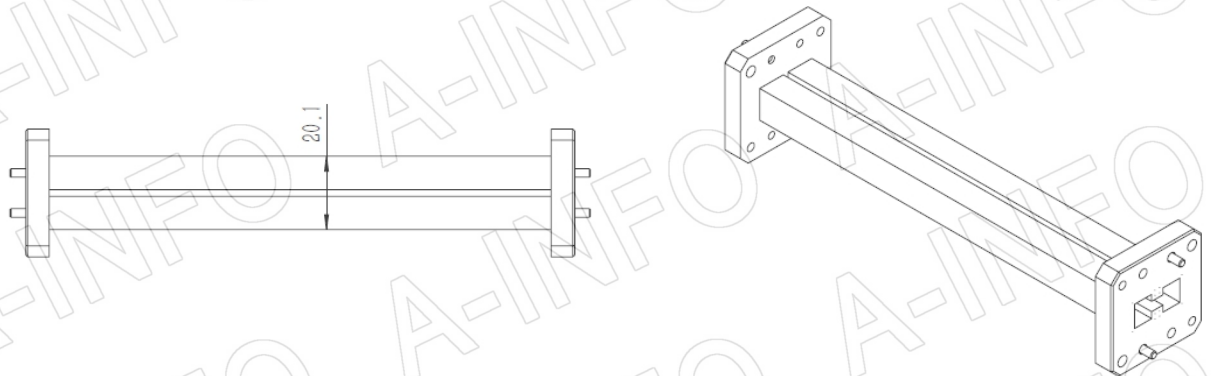
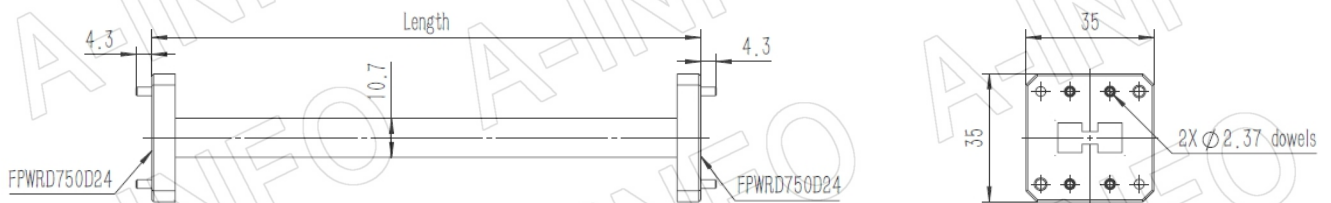
For reference only. See data sheet for the detailed specifications.

Technical Specification

| | |
|----------------------|---------------|
| EIA WRD | WRD750 |
| Frequency Range(GHz) | 7.5 – 18.0 |
| Length(mm) | 500 |
| Insertion Loss(dB) | 0.4 Max. |
| VSWR | 1.15:1 Max. |
| Flange | FPWRD750D24 |
| Material | Cu |
| Size(mm) | 500 x 35 x 35 |
| Net Weight(Kg) | 0.45 Around |



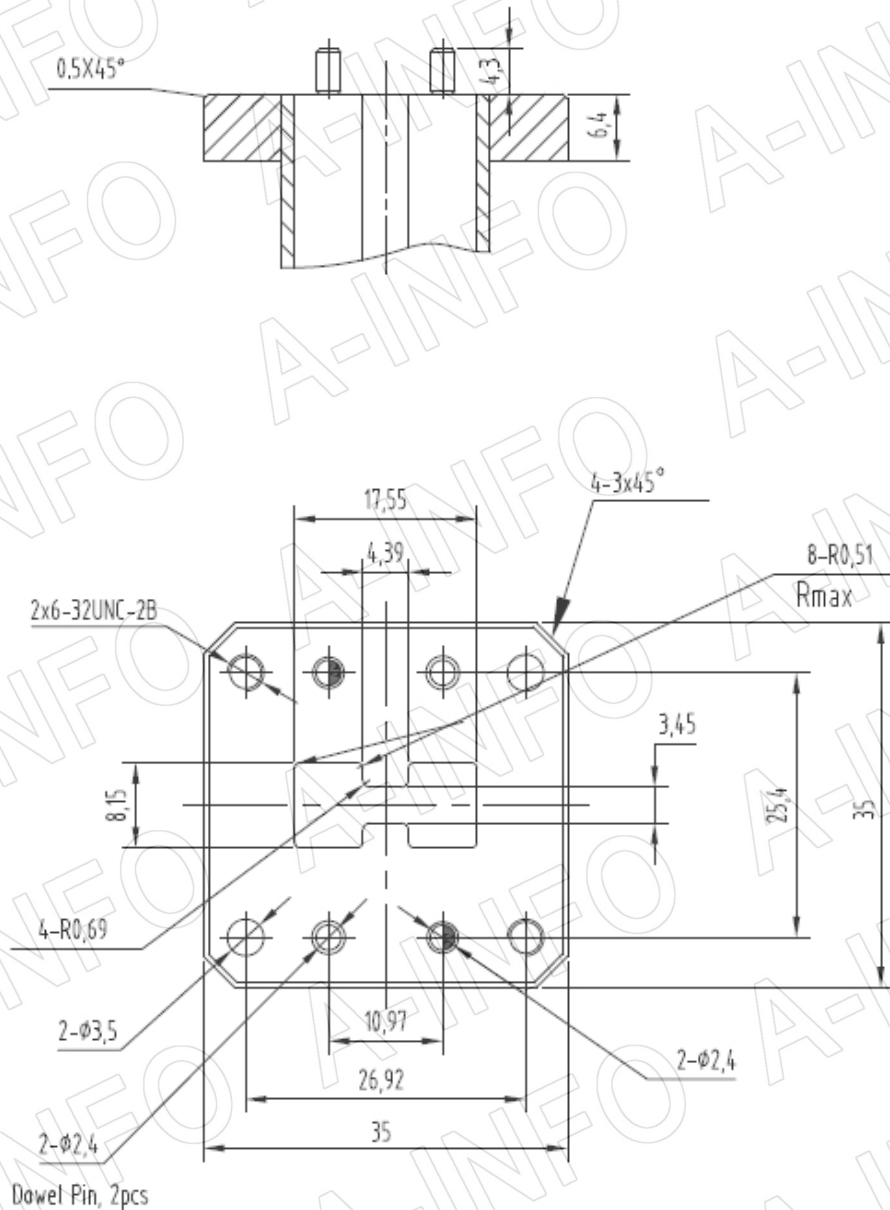
Outline Drawing (Size: mm)



Flange Drawing (Size: mm)

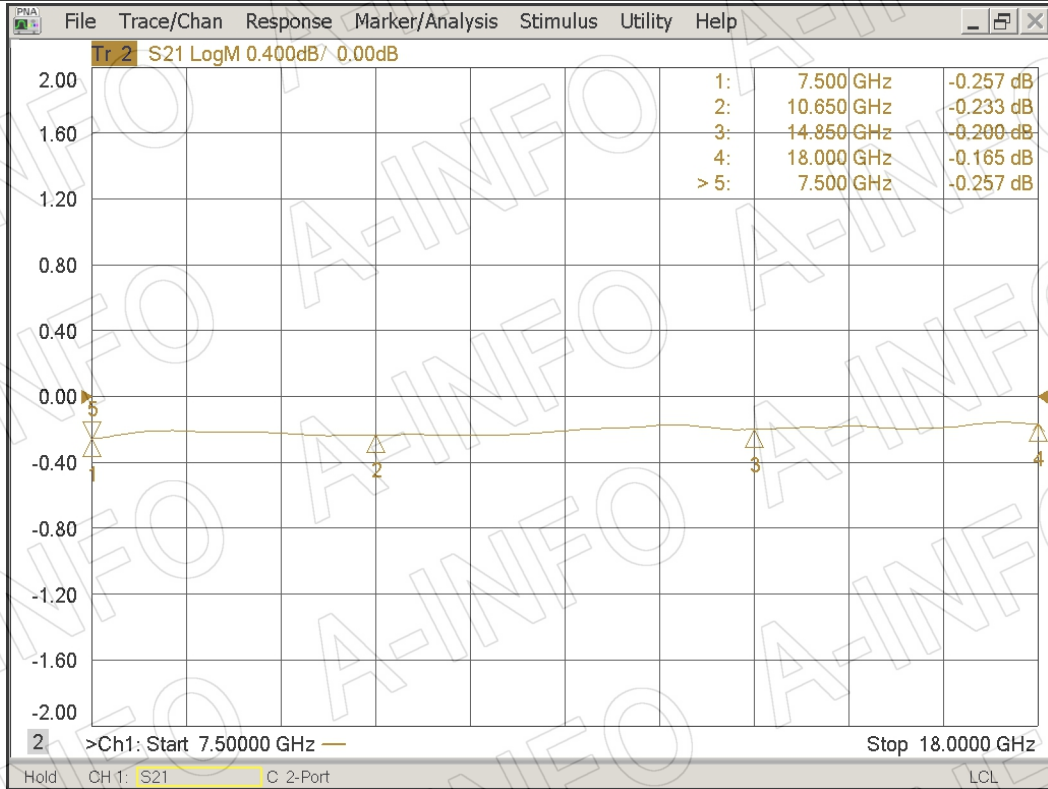
FPWRD750D24

(With two through mounting holes
and two screws holes)



Test Results

I.L.



VSWR

